



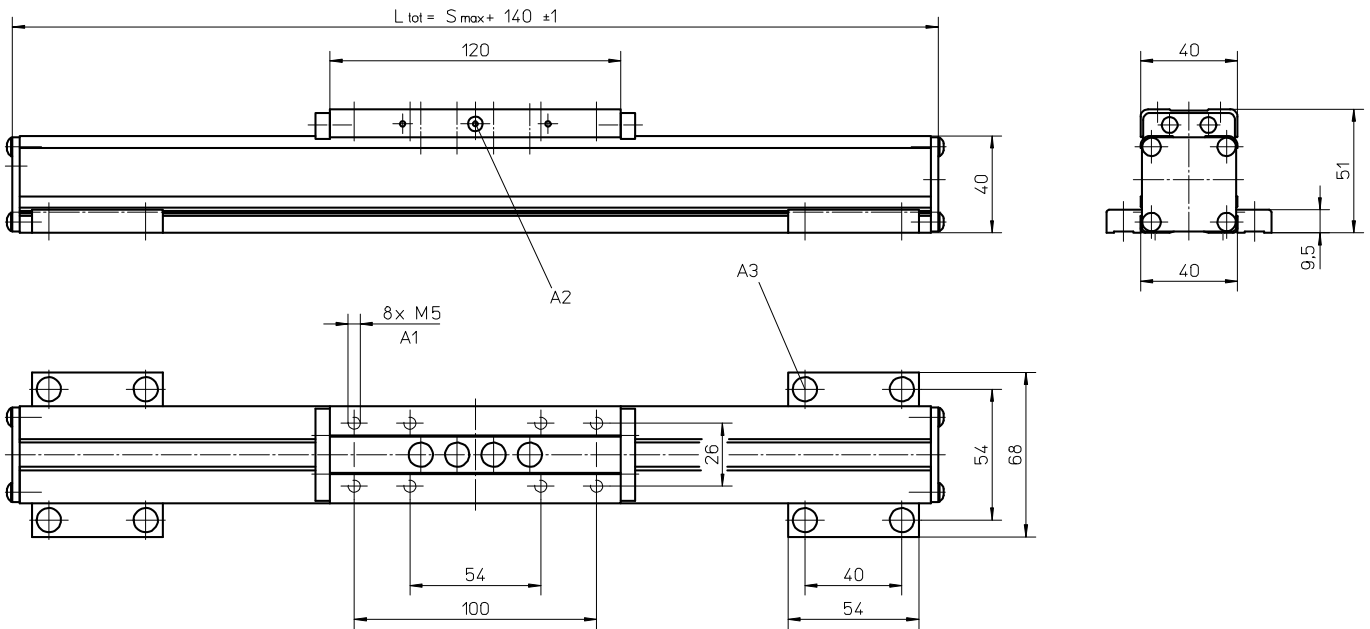
Accessories

Non-driven Linear Motion Systems

Dimensions	Projection	Online Sizing & Selection!
METRIC		www.LinearMotioneering.com

WH40N

» Ordering key - see page 211
 » Technical data - see page 78

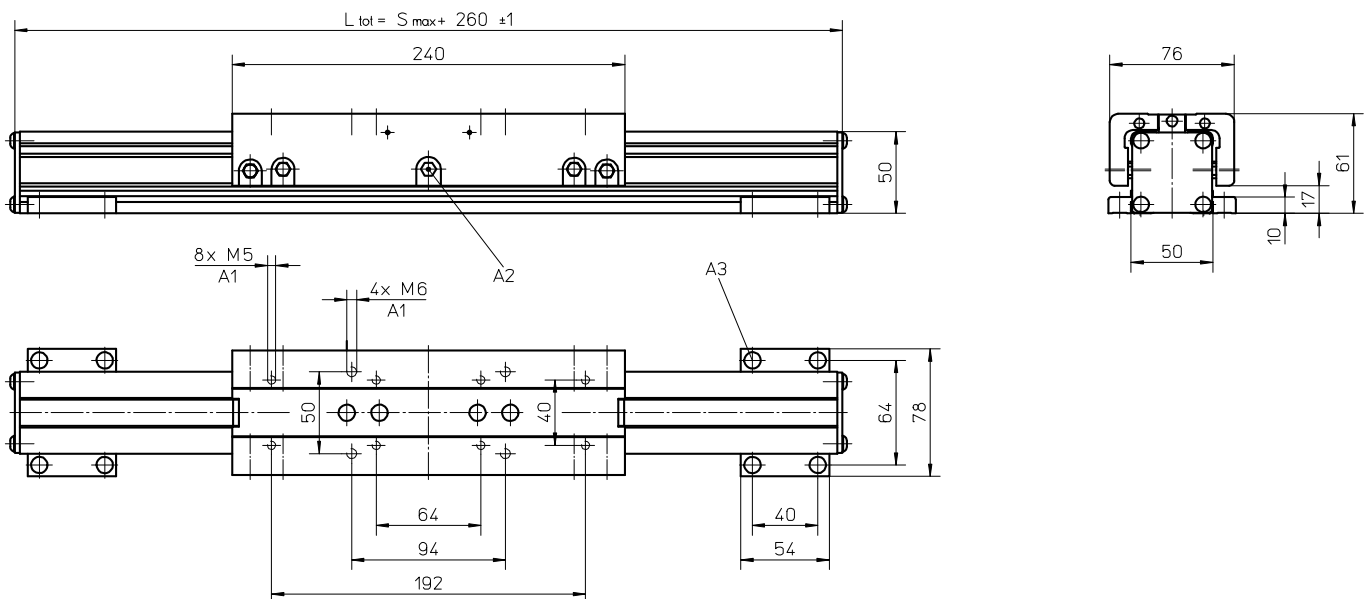


A1: depth 10
 A2: lubricating nipple on both sides DIN3405 D 1/A

A3: socket cap screw ISO4762-M5x12 8.8

WH50N

» Ordering key - see page 211
 » Technical data - see page 106




A1: depth 10
 A2: funnel type lubricating nipple DIN3405-M6x1-D1

A3: socket cap screw ISO4762-M5x12 8.8

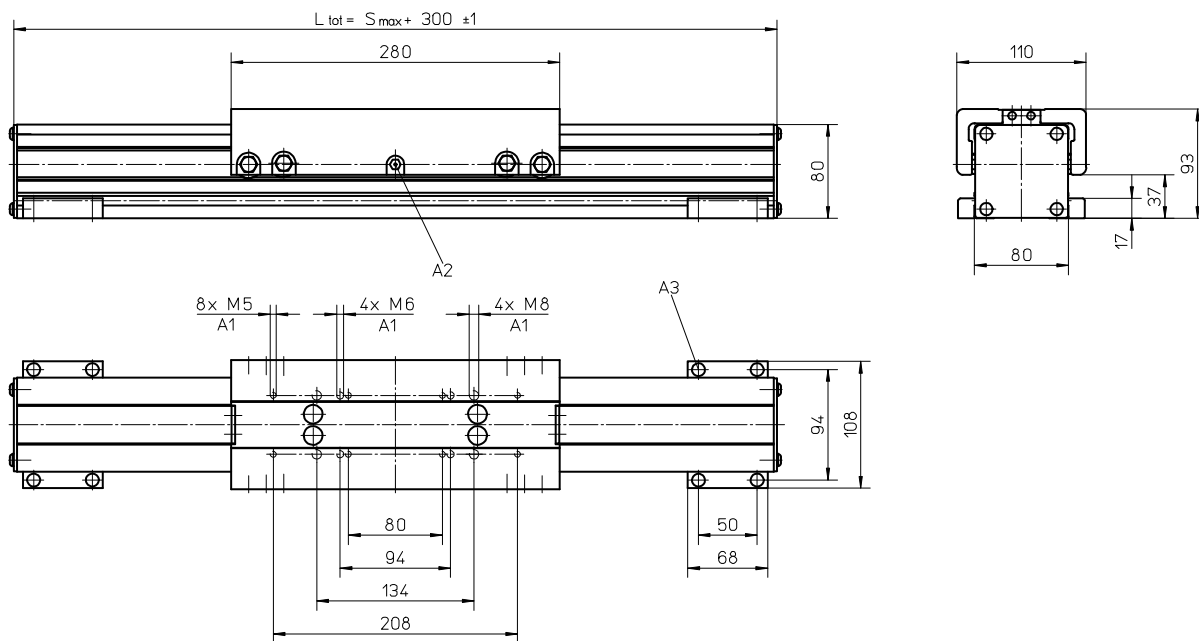
Accessories

Non-driven Linear Motion Systems

Dimensions	Projection	Online Sizing & Selection!
METRIC		www.LinearMotioneering.com

WH80N

» Ordering key - see page 211
 » Technical data - see page 108

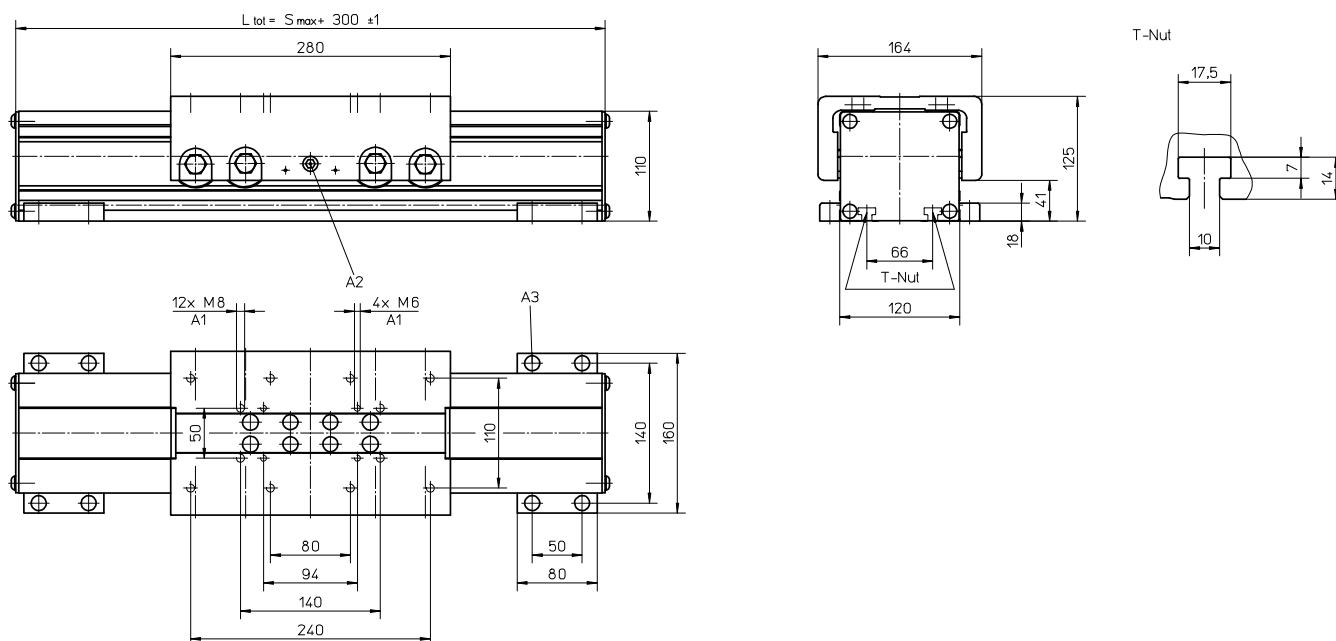


A1: depth 12
 A2: funnel type lubricating nipple DIN3405-M6x1-D1

A3: socket cap screw ISO4762-M6x20 8.8

WH120N

» Ordering key - see page 211
 » Technical data - see page 110



A1: depth 12
 A2: funnel type lubricating nipple DIN3405-M6x1-D1

A3: socket cap screw ISO4762-M8x20 8.8



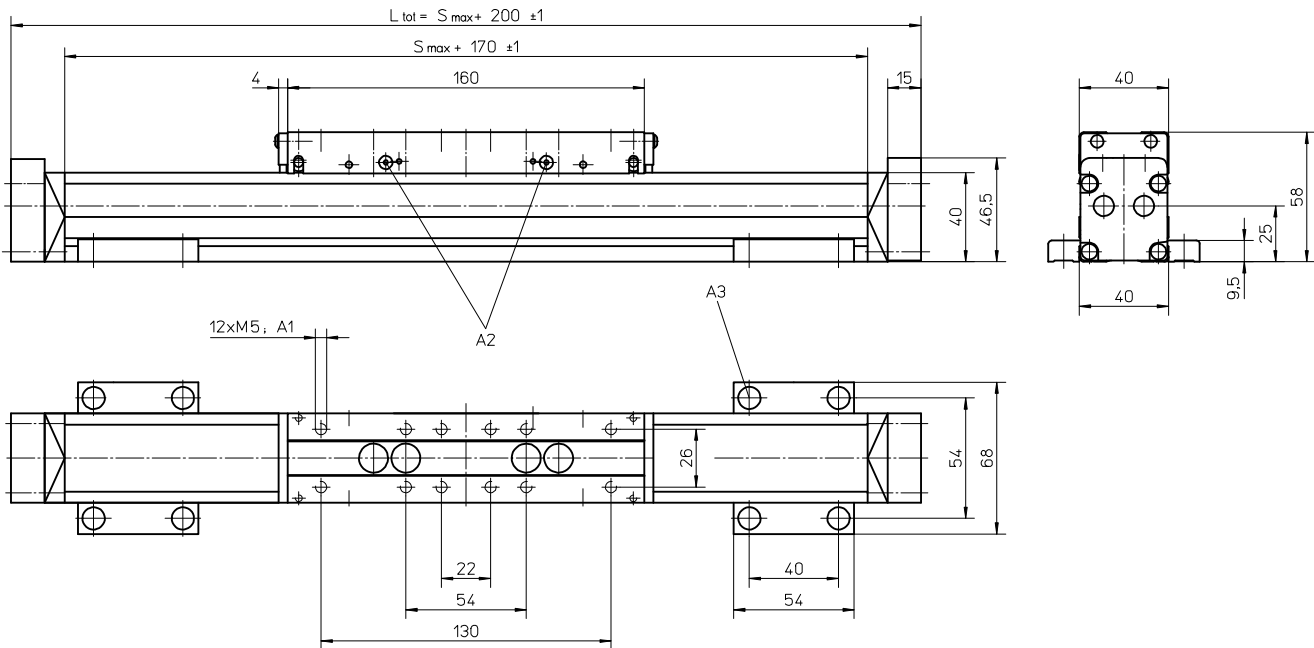
Accessories

Non-driven Linear Motion Systems

Dimensions	Projection	Online Sizing & Selection!
METRIC		www.LinearMotioneering.com

WM40N

» Ordering key - see page 211
 » Technical data - see page 14

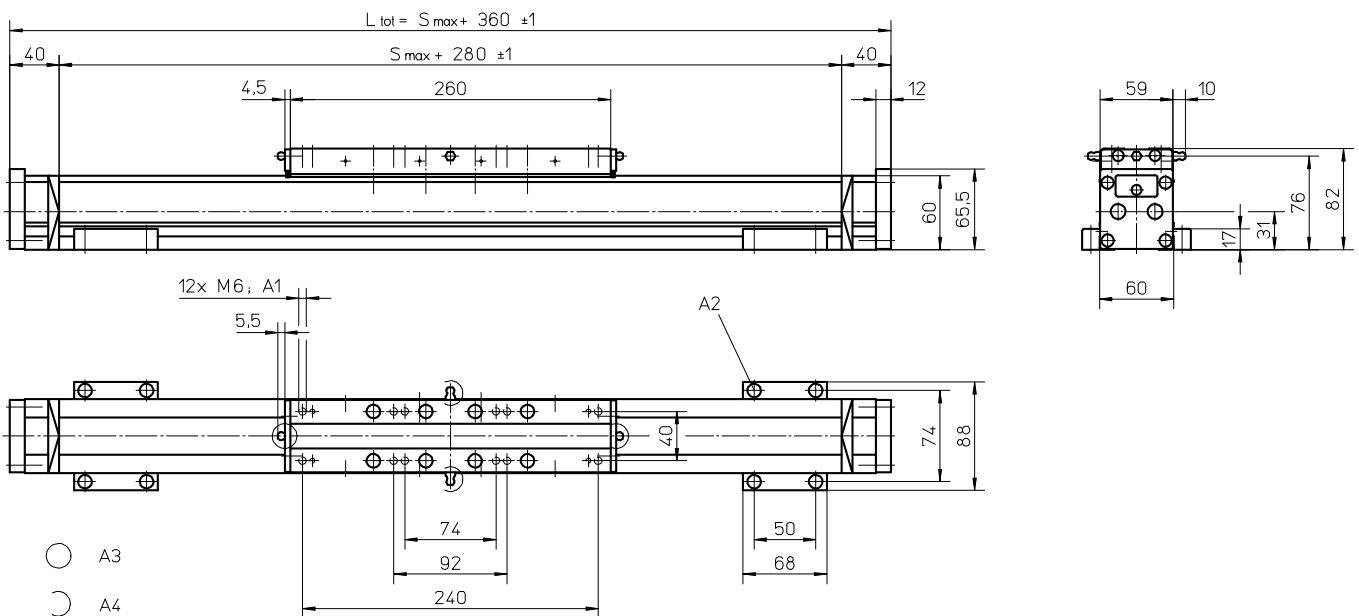


A1: depth 7
 A2: lubricating nipple on both sides DIN3405 D 1/A

A3: socket cap screw ISO4762-M5x12 8.8

WM60N

» Ordering key - see page 211
 » Technical data - see page 18




A1: depth 11
 A2: socket cap screw ISO4762-M6x20 8.8

A3: tapered lubricating nipple to DIN71412 AM6
 A4: can be changed over to one of the three alternative lubricating points by the customer

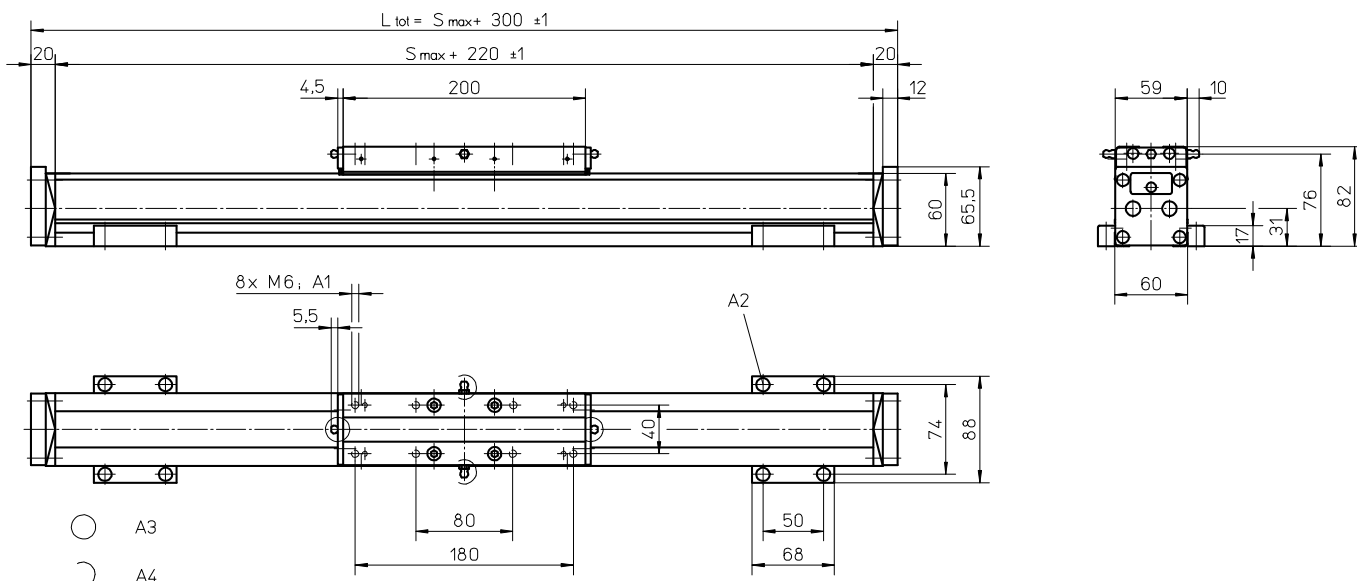
Accessories

Non-driven Linear Motion Systems

Dimensions	Projection	Online Sizing & Selection!
METRIC		www.LinearMotioneering.com

WM60N with Single Short Carriage

» Ordering key - see page 211
 » Technical data - see page 20

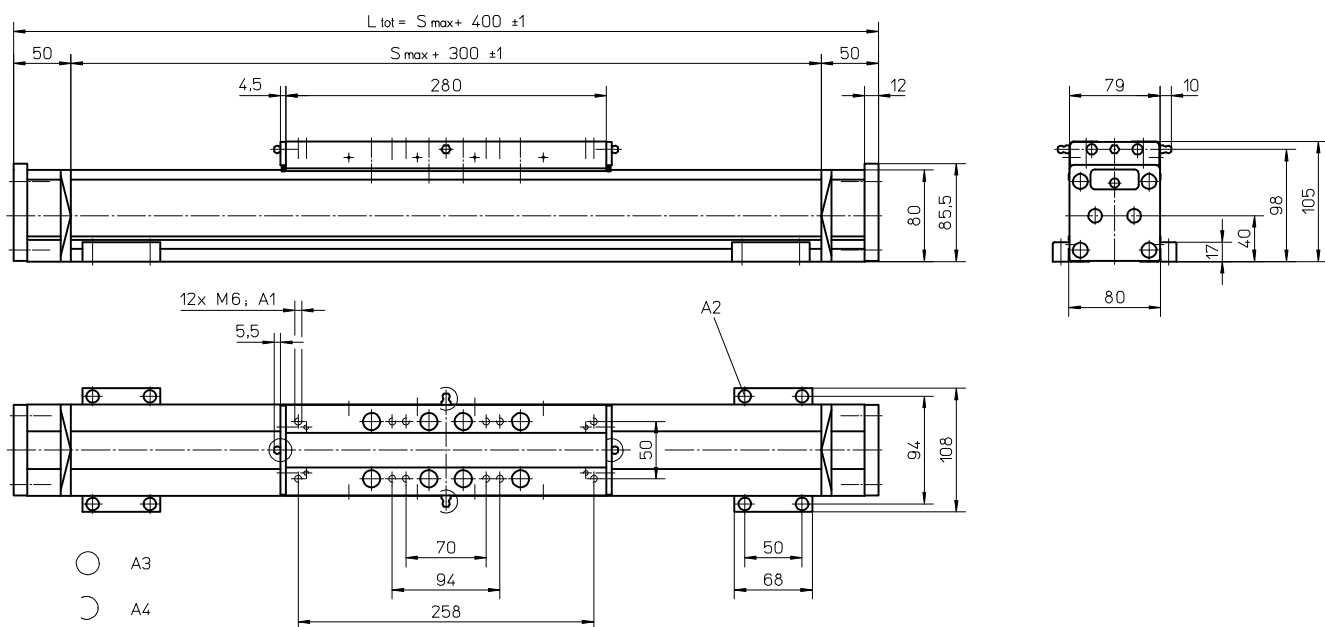


A1: depth 11
 A2: socket cap screw ISO4762-M6x20 8.8

A3: tapered lubricating nipple to DIN71412 AM6
 A4: can be changed over to one of the three alternative lubricating points by the customer

WM80N

» Ordering key - see page 211
 » Technical data - see page 24



A1: depth 12
 A2: socket cap screw ISO4762-M6x20 8.8

A3: tapered lubricating nipple to DIN71412 AM6
 A4: can be changed over to one of the three alternative lubricating points by the customer



Accessories

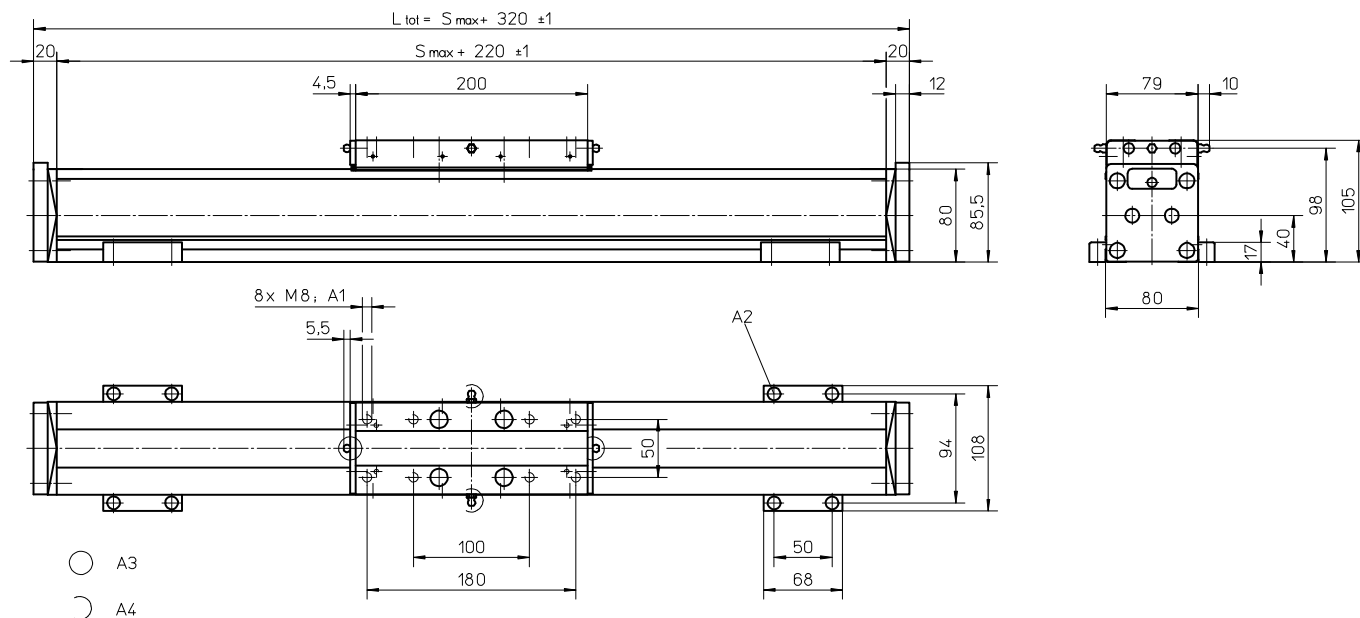
Non-driven Linear Motion Systems

Dimensions	Projection	Online Sizing & Selection!
METRIC		www.LinearMotioneering.com

WM80N with Single Short Carriage

» Ordering key - see page 211

» Technical data - see page 26



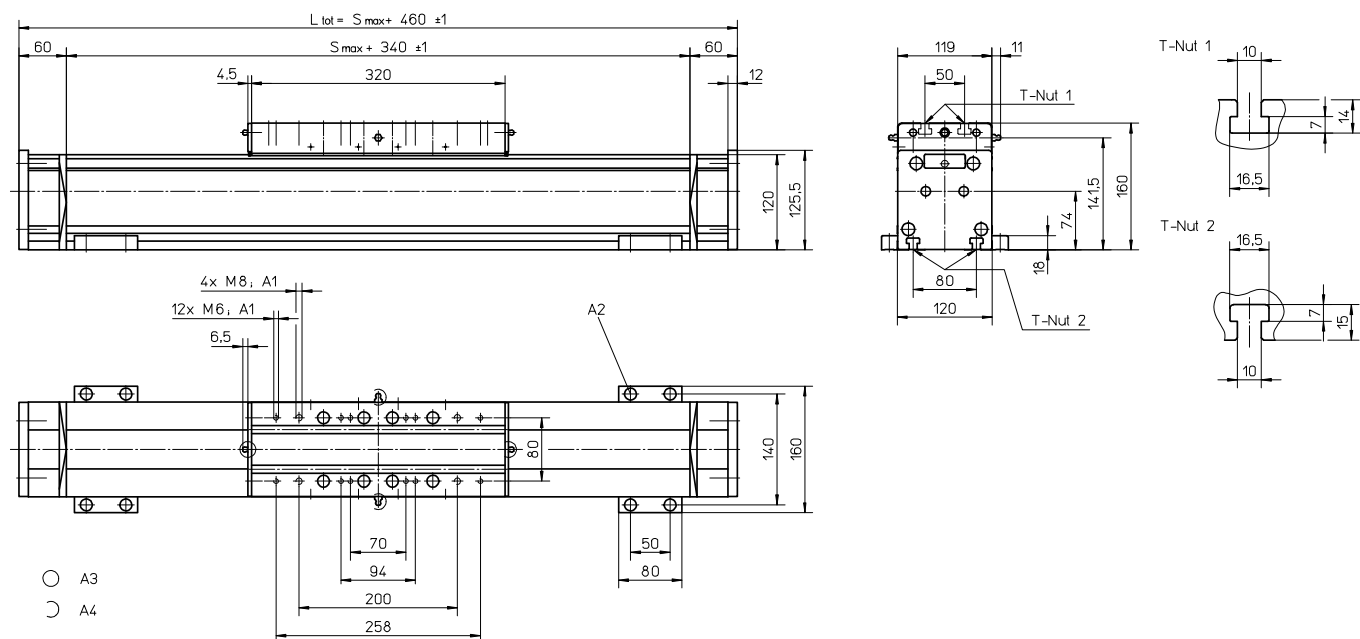
A1: depth 12
A2: socket cap screw ISO4762-M6x20 8.8

A3: tapered lubricating nipple to DIN71412 AM6
A4: can be changed over to one of the three alternative lubricating points by the customer

WM120N

» Ordering key - see page 211

» Technical data - see page 34

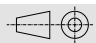


A1: depth 22
A2: socket cap screw ISO4762-M8x20 8.8

A3: tapered lubricating nipple to DIN71412 M8x1
A4: can be changed over to one of the three alternative lubricating points by the customer

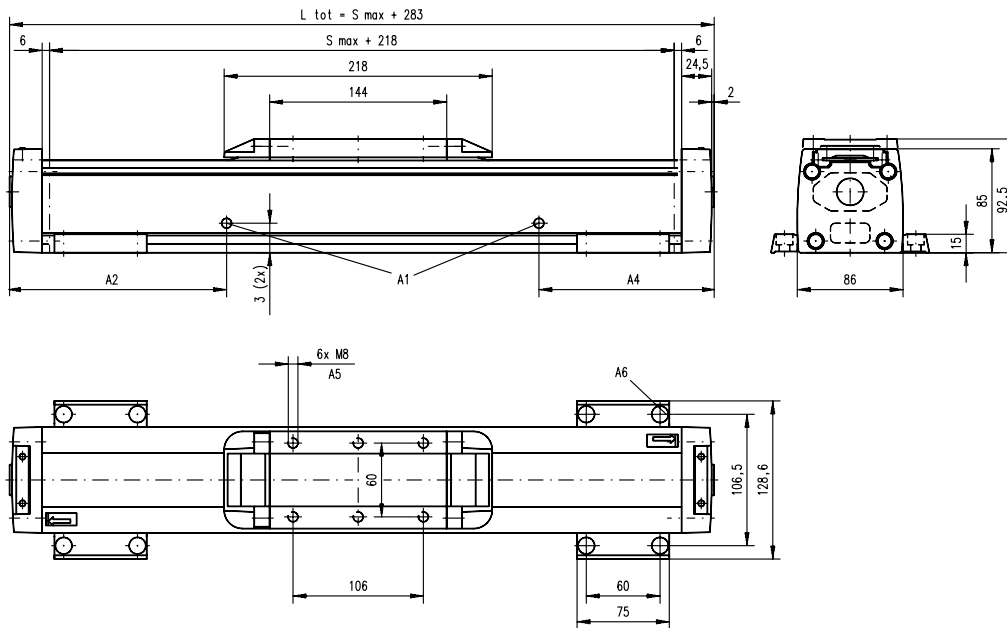
Accessories

Non-driven Linear Motion Systems

Dimensions	Projection	Online Sizing & Selection!
METRIC		www.LinearMotioneering.com

M75N

» Ordering key - see page 212
 » Technical data - see page 42

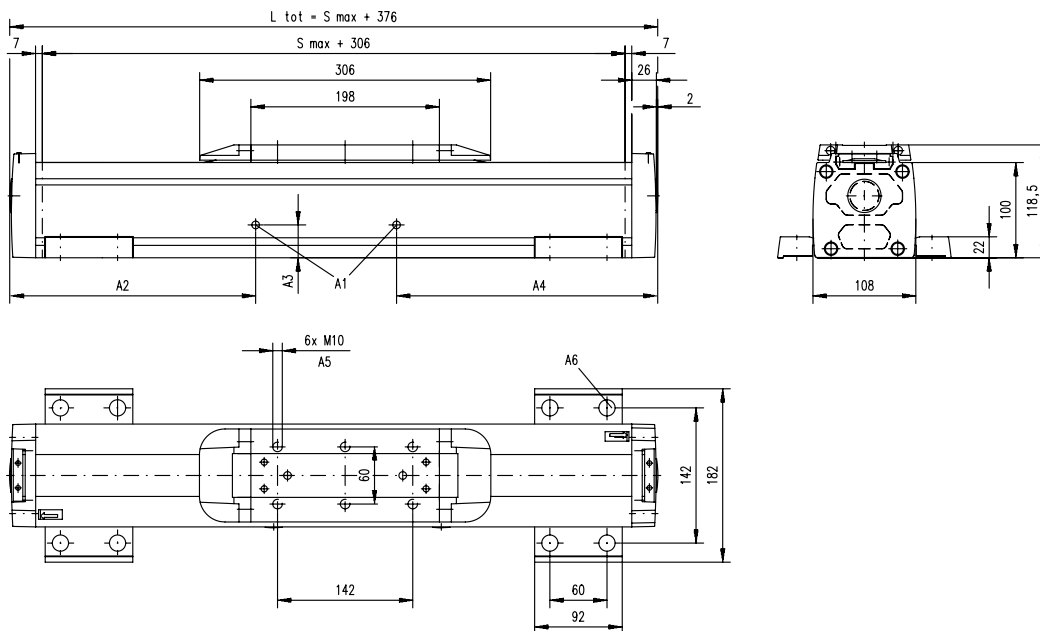


A1: slide guide tensioning holes $\phi 6$ (MG07N), lubrication holes $\phi 10$ (MF07N)
 A2: 177 (MG07N), 127 (MF07N)
 A3: 24 (MG07N), 43 (MF07N)

A4: 326 (MG07N), 346 (MF07N)
 A5: depth 8 Heli coil
 A6: $\phi 13,5 / \phi 8,5$ for socket head cap screw M8

M100N

» Ordering key - see page 212
 » Technical data - see page 44



A1: slide guide tensioning holes $\phi 6$ (MG10N), $\phi 10$ (MF10N)
 A2: 127,5 if $L_{tot} \leq 1055$ mm,
 227,5 if $L_{tot} > 1055$ mm (MG10N), 292,5 (MF10N)
 A3: 34,5 (MG10N), 56,5 (MF10N)

A4: 127,5 if $L_{tot} \leq 1055$ mm, 377,5 if $L_{tot} > 1055$ mm (MG10N),
 292,5 if $L_{tot} \Rightarrow 755$ mm, no hole if $L_{tot} < 755$ mm (MF10N)
 A5: depth 10 Heli coil
 A6: $\phi 17 / \phi 10,5$ for socket head cap screw M10

www.thomsonlinear.com



Accessories

Non-RediMount Linear Motion Systems

Dimensions

Projection

Online Sizing & Selection!

METRIC

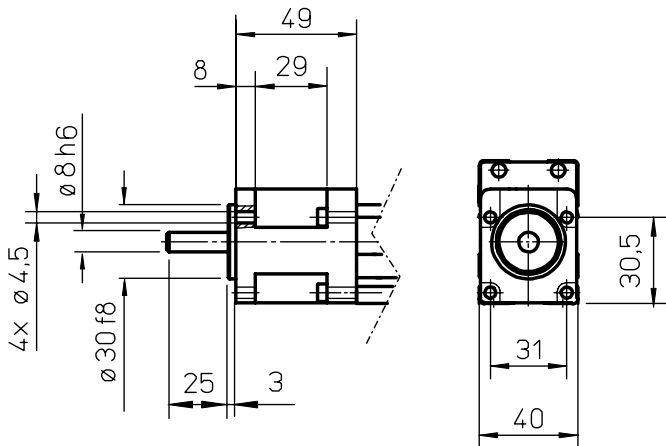


www.LinearMotioneering.com

WM40

» Ordering key - see page 193

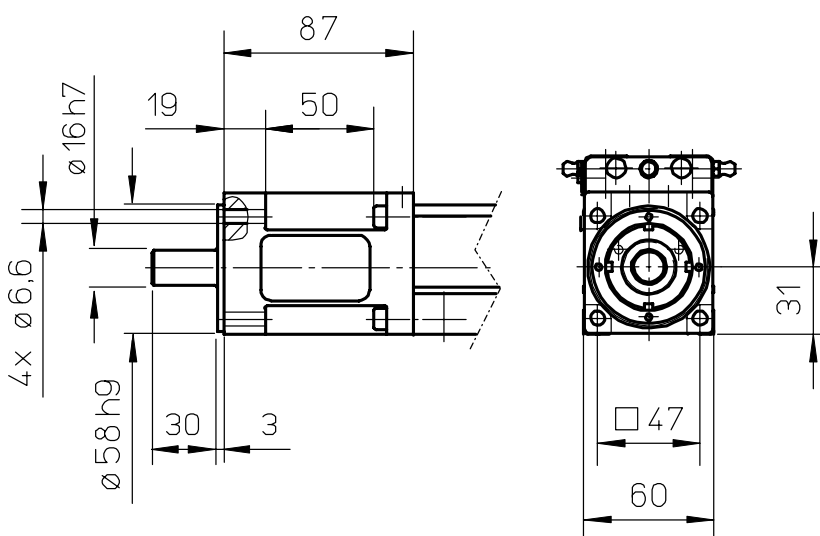
» Technical data - see page 4 - 17



WM60, WV60


» Ordering key - see page 193, 194

» Technical data - see page 18 - 23, 30



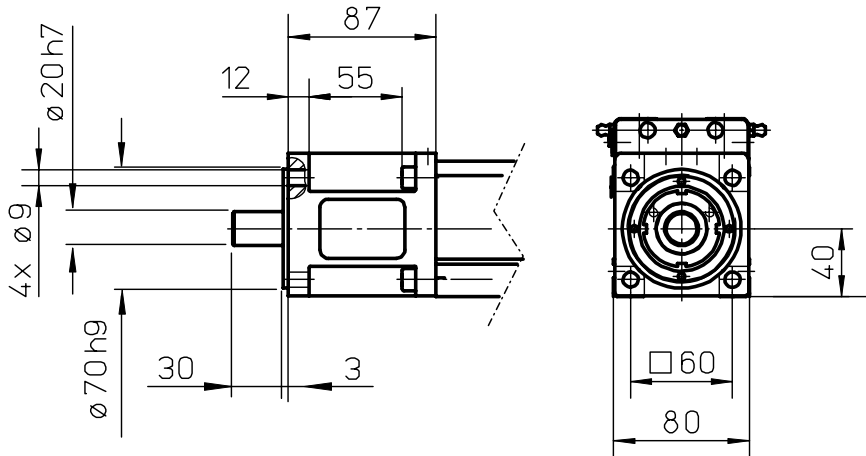
Accessories

Non-RediMount Linear Motion Systems

Dimensions	Projection	Online Sizing & Selection!
METRIC		www.LinearMotioneering.com

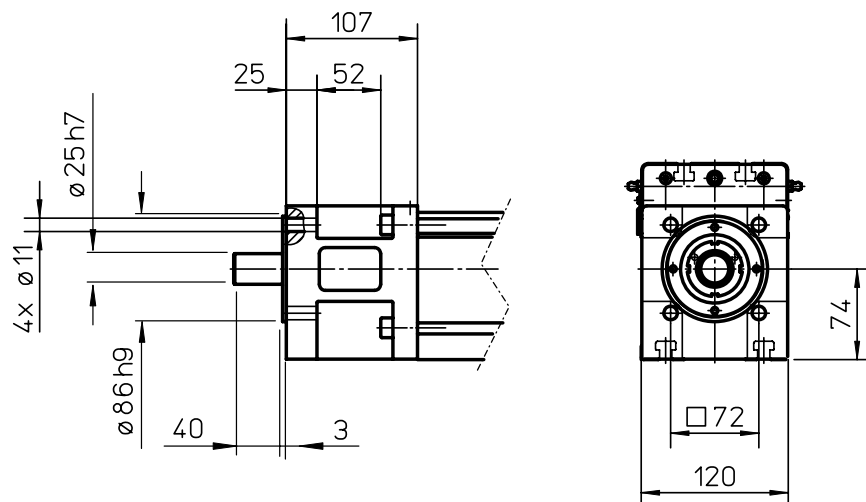
WM80, WV80

- » Ordering key - see page 193, 194
- » Technical data - see page 24 - 27, 32



WM120, WV120

- » Ordering key - see page 193, 194
- » Technical data - see page 28, 32





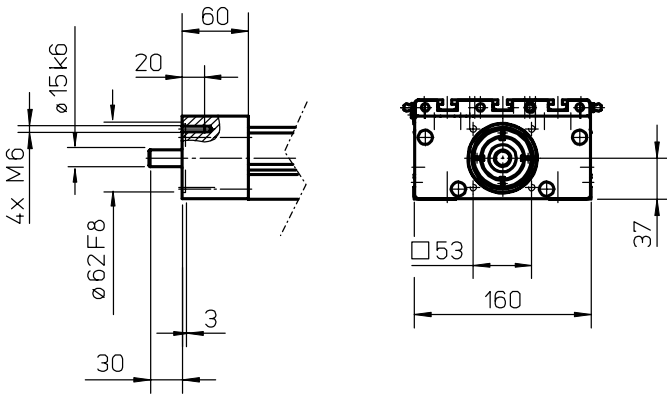
Accessories

Non-RediMount Linear Motion Systems

Dimensions	Projection	Online Sizing & Selection!
METRIC		www.LinearMotioneering.com

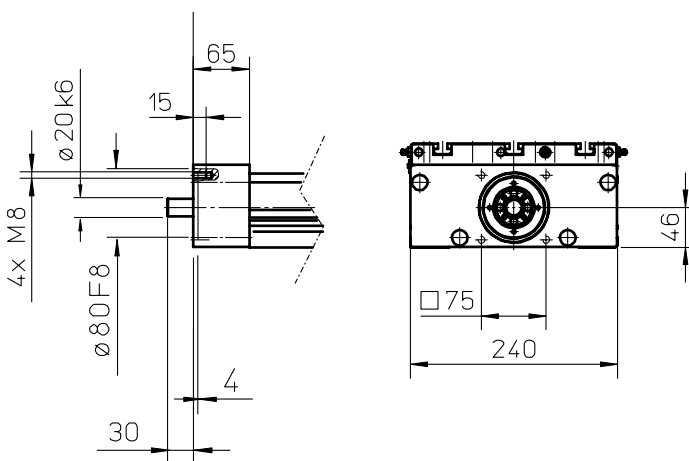
MLSM60D

- » Ordering key - see page 195
- » Technical data - see page 36




MLSM80D

- » Ordering key - see page 195
- » Technical data - see page 38



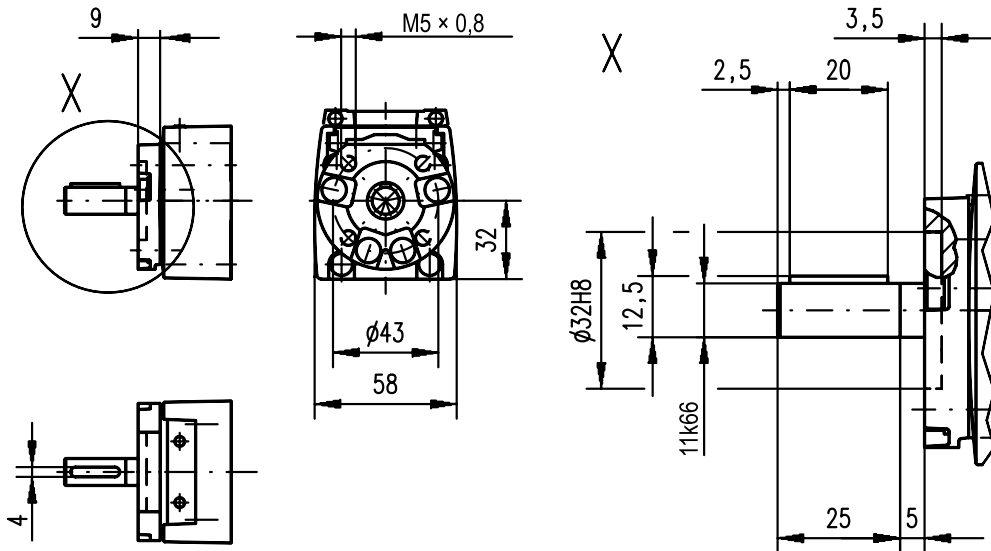
Accessories

Non-RediMount Linear Motion Systems

Dimensions	Projection	Online Sizing & Selection!
METRIC		www.LinearMotioneering.com

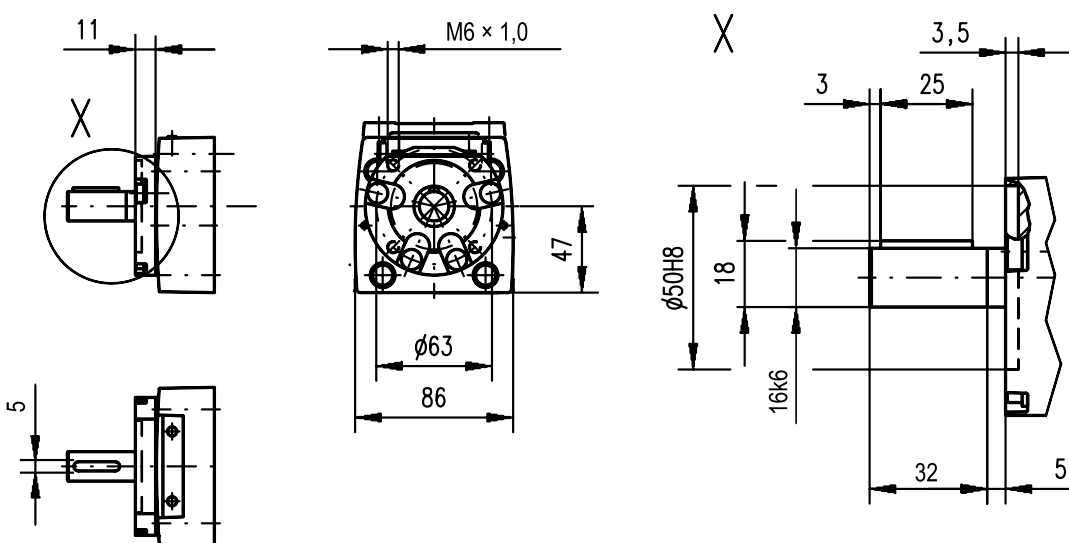
M55 with ball screw drive

» Ordering key - see page 196, 201
» Technical data - see page 40, 70



M75 with ball screw drive

» Ordering key - see page 196, 201
» Technical data - see page 42, 72





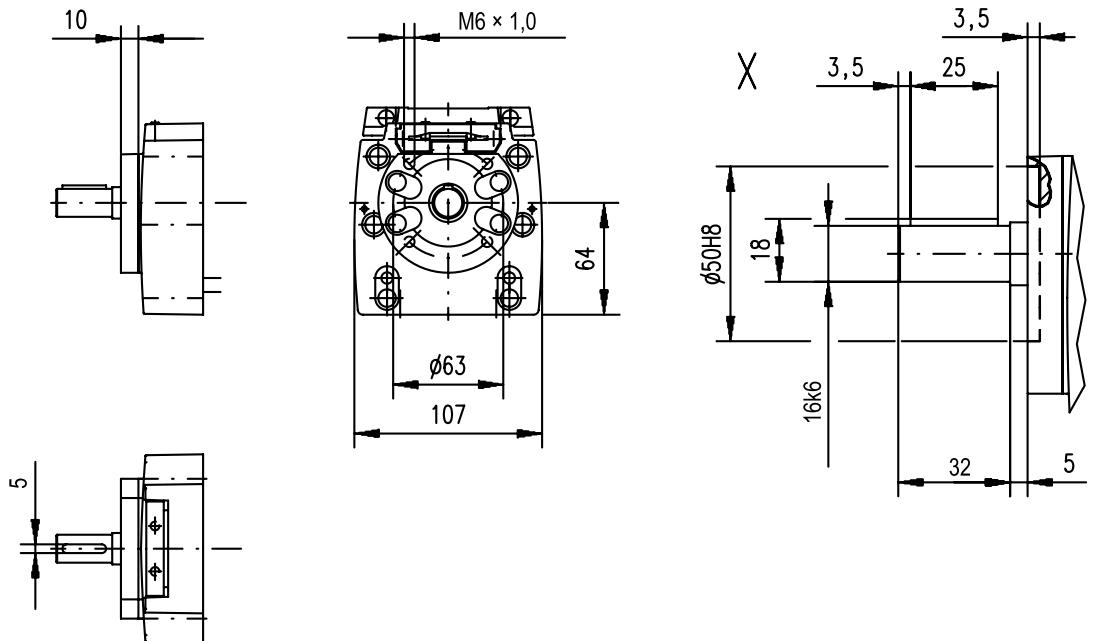
Accessories

Non-RediMount Linear Motion Systems

Dimensions	Projection	Online Sizing & Selection!
METRIC		www.LinearMotioneering.com

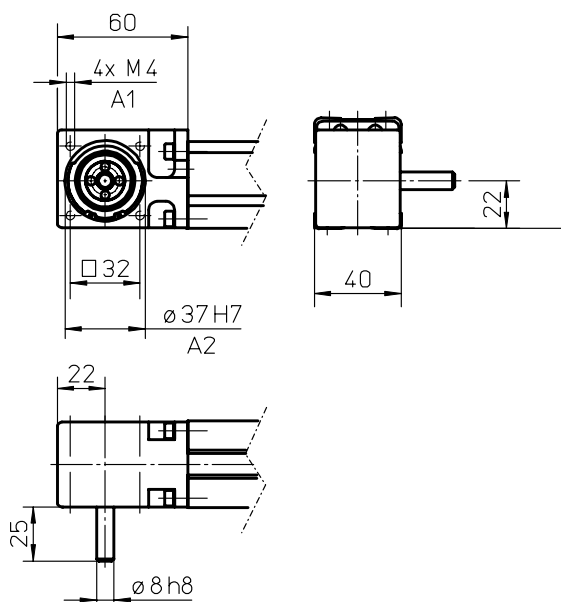
M100 with ball screw drive

» Ordering key - see page 196, 201
» Technical data - see page 44, 74



WH40


» Ordering key - see page 202
» Technical data - see page 78



A1: depth 10
A2: depth 3

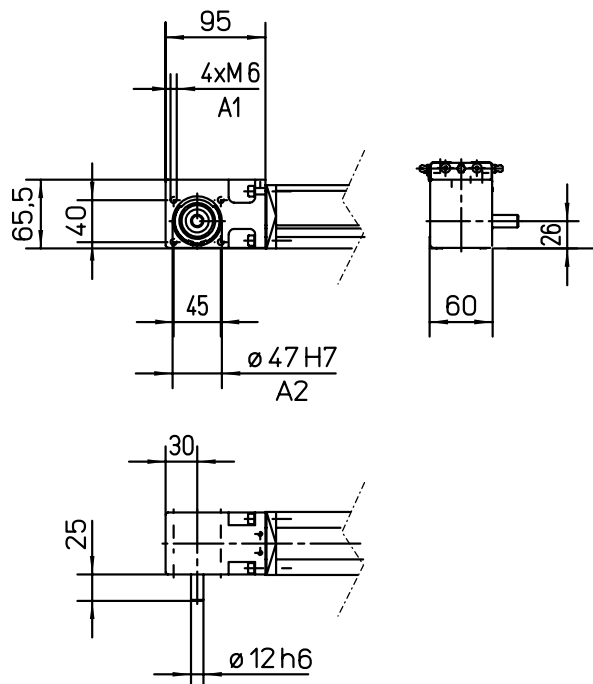
Accessories

Non-RediMount Linear Motion Systems

Dimensions	Projection	Online Sizing & Selection!
METRIC		www.LinearMotioneering.com

WM60Z

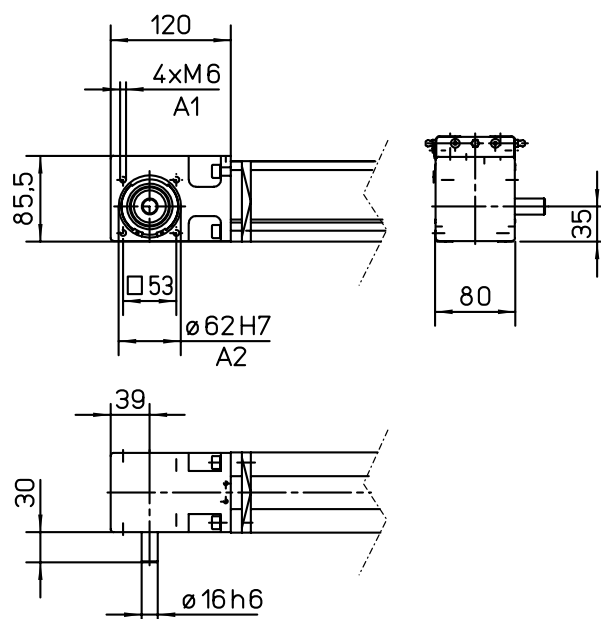
- » Ordering key - see page 203
- » Technical data - see page 80



A1: depth 15
A2: depth 4

WM80Z

- » Ordering key - see page 203
- » Technical data - see page 82



A1: depth 15
A2: depth 2,5

www.thomsonlinear.com



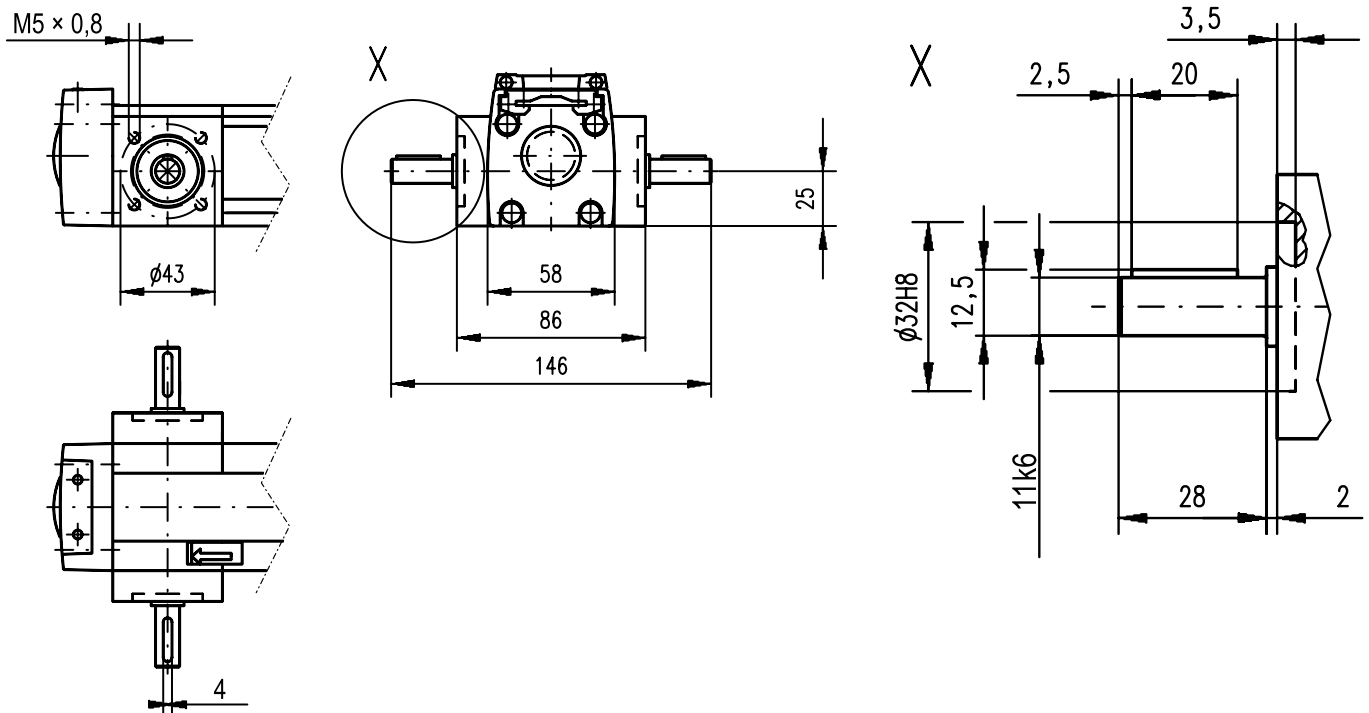
Accessories

Non-RediMount Linear Motion Systems

Dimensions	Projection	Online Sizing & Selection!
METRIC		www.LinearMotioneering.com

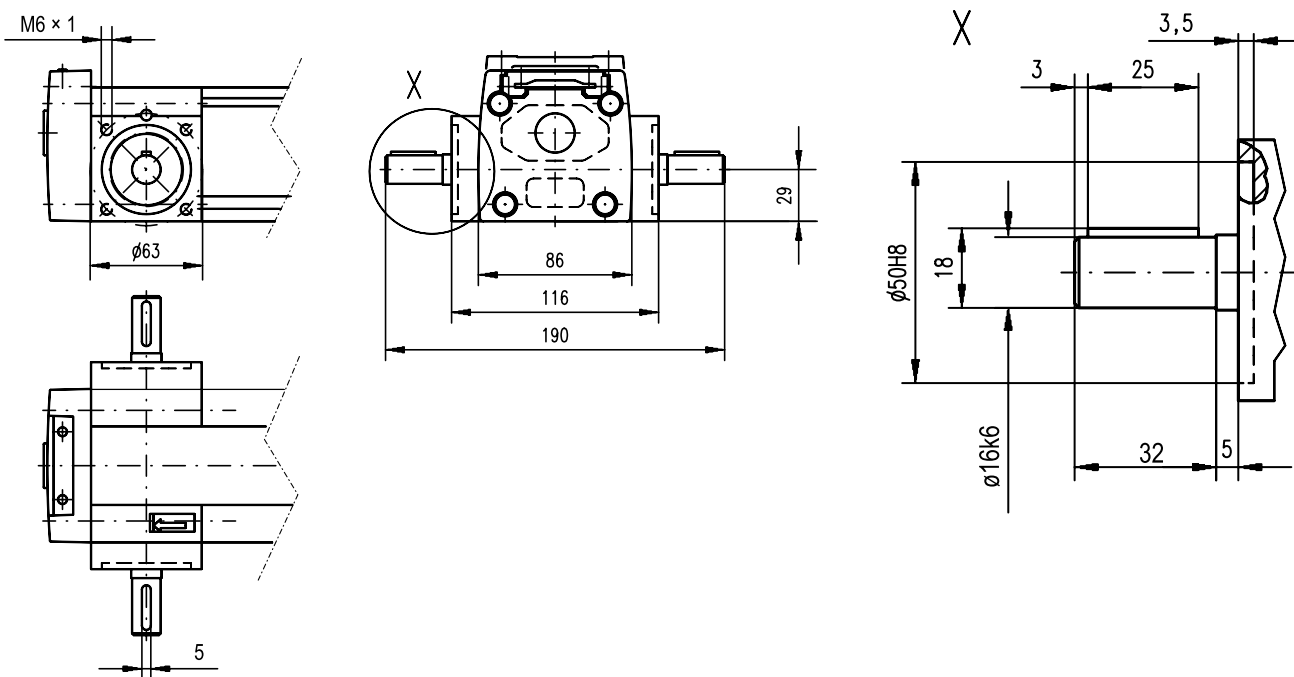
M55 with belt drive

» Ordering key - see page 204, 206
» Technical data - see page 86, 98



M75 with belt drive

» Ordering key - see page 204, 206
» Technical data - see page 88, 100



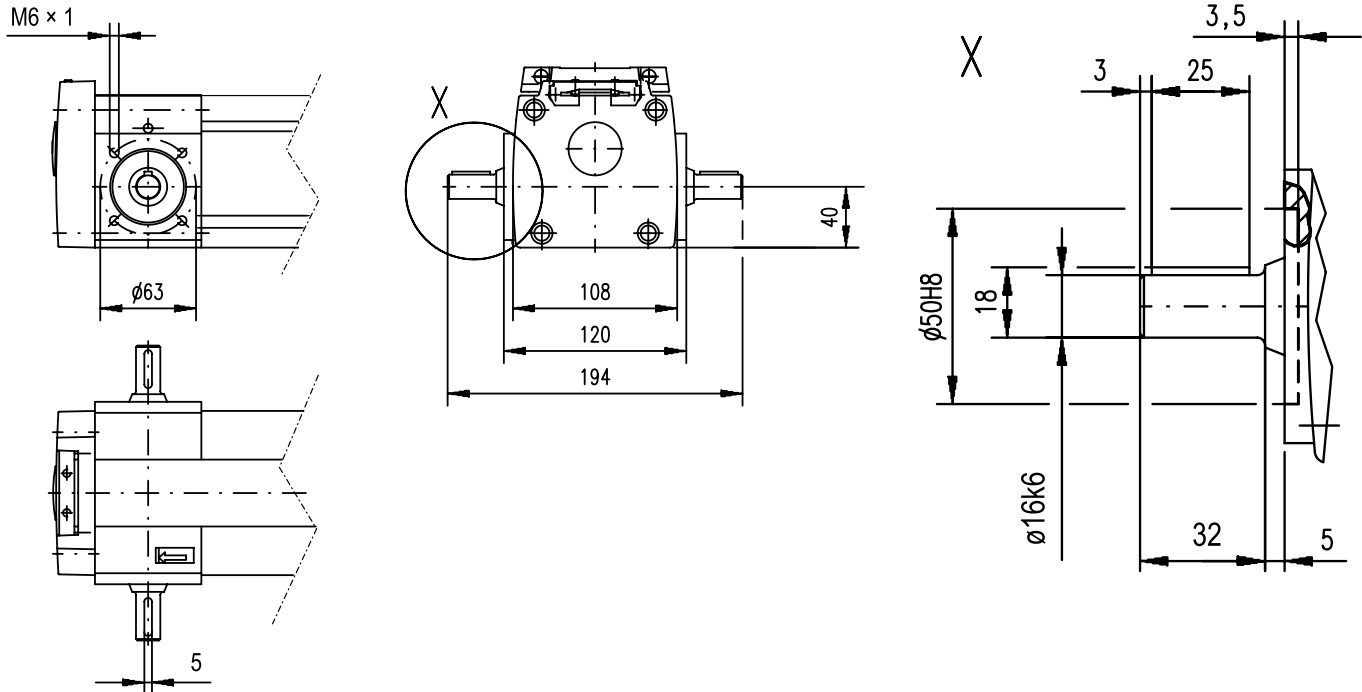
Accessories

Non-RediMount Linear Motion Systems

Dimensions	Projection	Online Sizing & Selection!
METRIC		www.LinearMotioneering.com

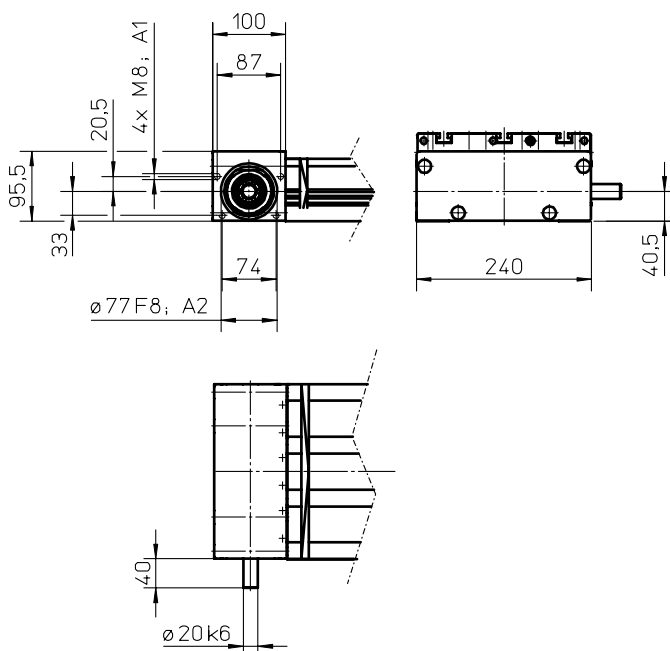
M100 with belt drive

» Ordering key - see page 204, 206
 » Technical data - see page 90, 102



MLSM80Z

» Ordering key - see page 205
 » Technical data - see page 92



A1: depth 18
 A2: depth 4

www.thomsonlinear.com



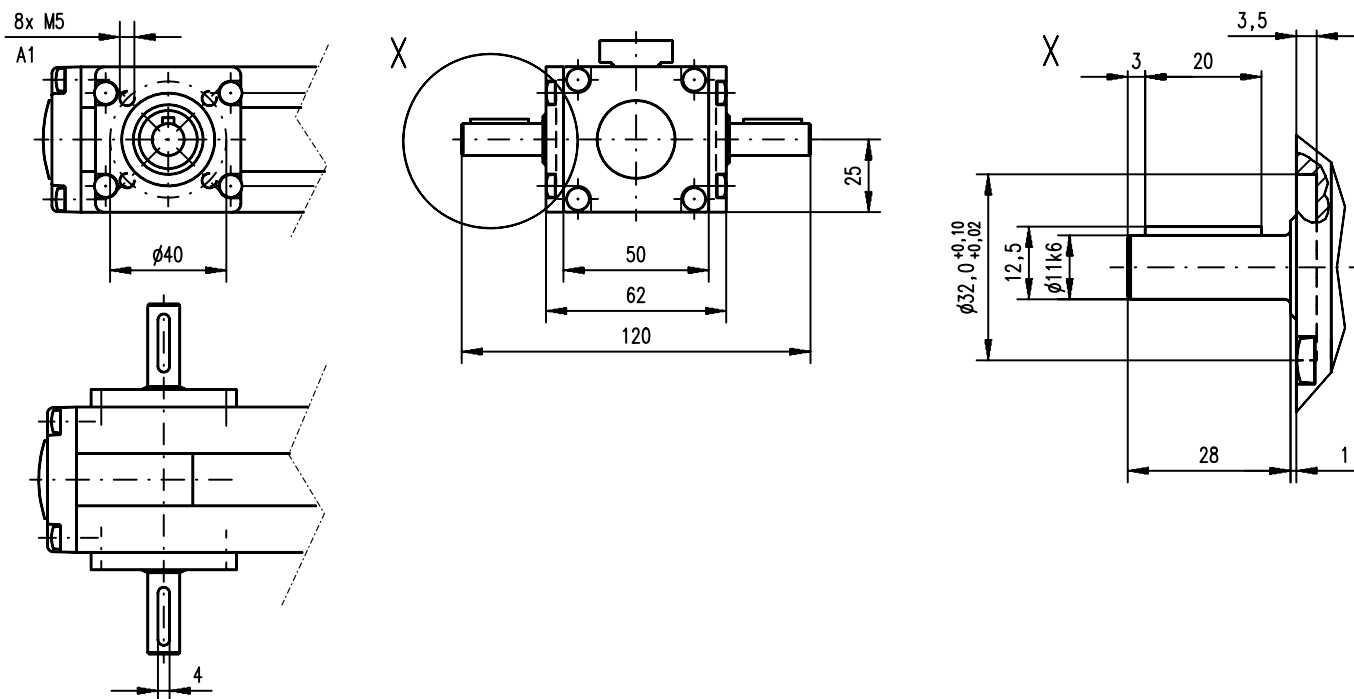
Accessories

Non-RediMount Linear Motion Systems

Dimensions	Projection	Online Sizing & Selection!
METRIC		www.LinearMotioneering.com

M50

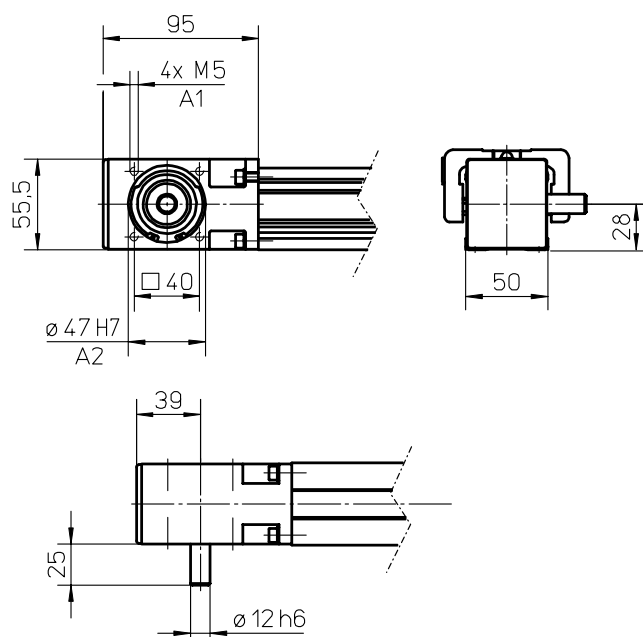
» Ordering key - see page 206
» Technical data - see page 96



A1: depth 8,5

WH50


» Ordering key - see page 207
» Technical data - see page 106



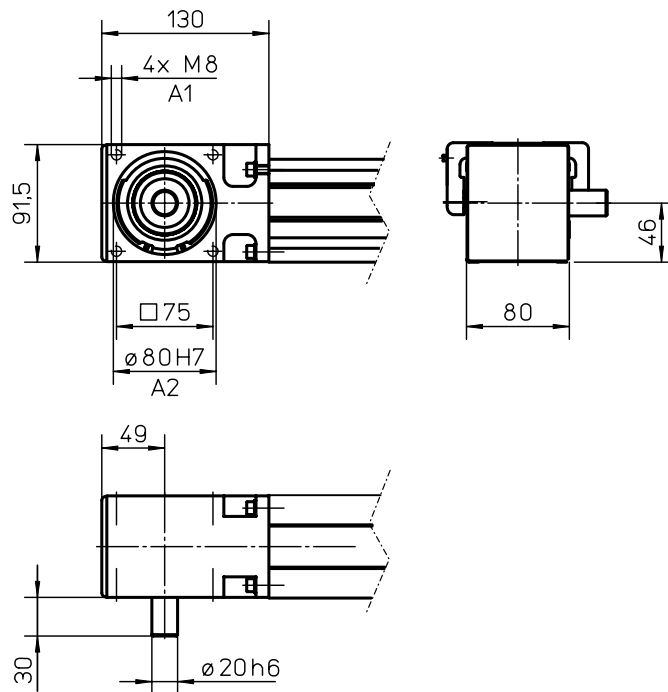
A1: depth 10
A2: depth 3

Accessories

Non-RediMount Linear Motion Systems

Dimensions	Projection	Online Sizing & Selection!
METRIC		www.LinearMotioneering.com

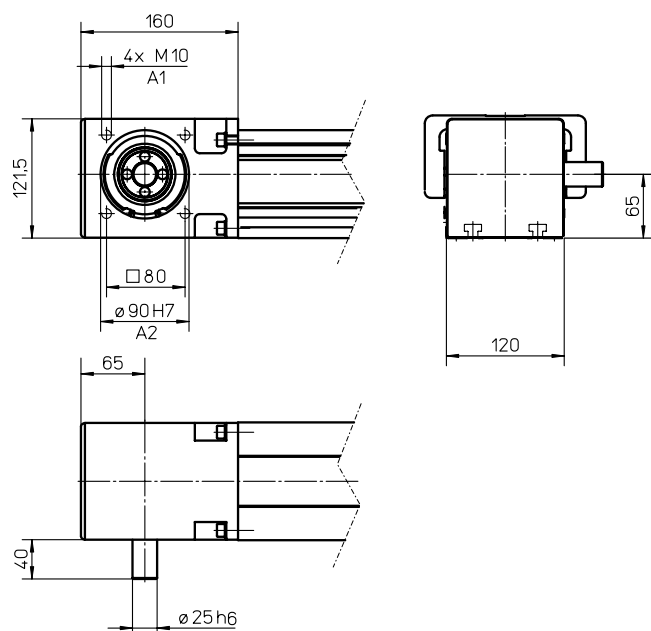
WH80



A1: depth 16
A2: depth 2,5

» Ordering key - see page 207
» Technical data - see page 108

WH120



A1: depth 20
A2: depth 7

» Ordering key - see page 207
» Technical data - see page 110

www.thomsonlinear.com



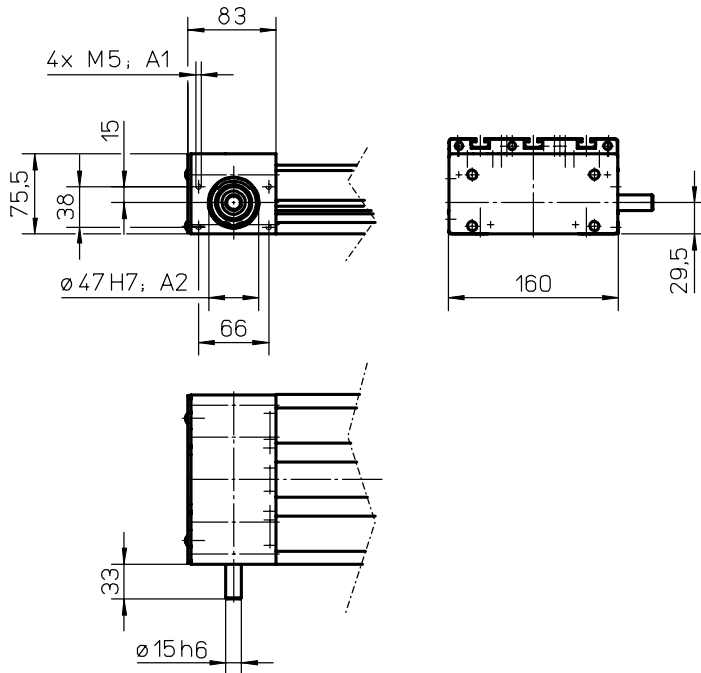
Accessories

Non-RediMount Linear Motion Systems

Dimensions	Projection	Online Sizing & Selection!
METRIC		www.LinearMotioneering.com

MLSH60Z

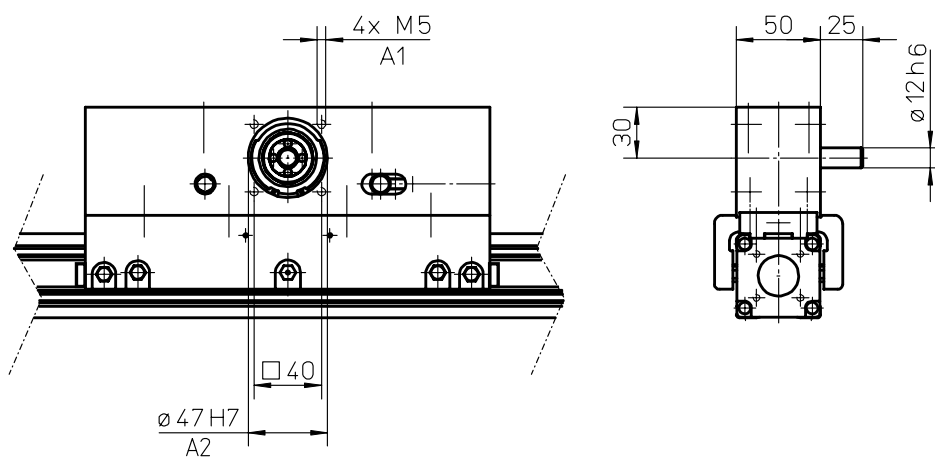
» Ordering key - see page 208
» Technical data - see page 112



A1: depth 10
A2: depth 4

WHZ50


» Ordering key - see page 209
» Technical data - see page 116



A1: depth 12
A2: depth 3,5

Accessories

Non-RediMount Linear Motion Systems

Dimensions	Projection	Online Sizing & Selection!
METRIC		www.LinearMotioneering.com

WHZ80

» Ordering key - see page 209
» Technical data - see page 118

